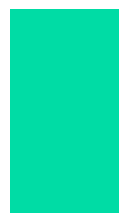
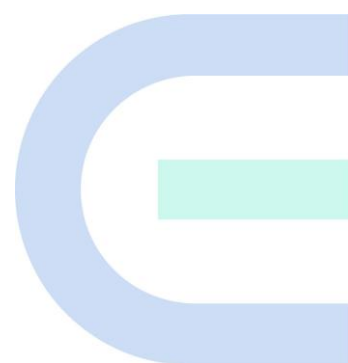


RG-PA150I-FS, PA300I-FS, PA460I-FS, PA600I-FS Power Modules

Hardware Installation and Reference Guide



Copyright

Copyright © 2023 Ruijie Networks

All rights are reserved in this document and this statement.

Without the prior written consent of Ruijie Networks, any organization or individual shall not reproduce, extract, back up, modify, or propagate the content of this document in any manner or in any form, or translate it into other languages or use some or all parts of the document for commercial purposes.

 and other Ruijie Networks logos are trademarks of Ruijie Networks.

All other trademarks or registered trademarks mentioned in this document are owned by their respective owners.

Disclaimer

The products, services, or features you purchase are subject to commercial contracts and terms, and some or all of the products, services, or features described in this document may not be available for you to purchase or use. Except for the agreement in the contract, Ruijie Networks makes no explicit or implicit statements or warranties with respect to the content of this document.

The content of this document will be updated from time to time due to product version upgrades or other reasons, Ruijie Networks reserves the right to modify the content of the document without any notice or prompt.

This manual is designed merely as a user guide. Ruijie Networks has tried its best to ensure the accuracy and reliability of the content when compiling this manual, but it does not guarantee that the content of the manual is completely free of errors or omissions, and all the information in this manual does not constitute any explicit or implicit warranties.

Preface

Intended Audience

This document is intended for:

- Network engineers
- Technical support and servicing engineers
- Network administrators


Technical Support

- The official website of Ruijie Reyee: <https://www.ruijienetworks.com/products/reyee>
- Technical Support Website: <https://www.ruijienetworks.com/support>
- Case Portal: <https://caseportal.ruijienetworks.com>
- Community: <https://community.ruijienetworks.com>
- Technical Support Email: service_rj@ruijienetworks.com

Conventions

1. Signs

This document also uses signs to indicate some important points during the operation. The meanings of these signs are as follows:

 Caution


An alert that calls attention to safety instruction that if not understood or followed can result in personal injury.

 Warning

An alert that calls attention to important rules and information that if not understood or followed can result in data loss or equipment damage.

 Note

An alert that calls attention to essential information that if not understood or followed can result in function failure or performance degradation.

 Instruction

An alert that contains additional or supplementary information that if not understood or followed will not lead to serious consequences.

 Specification

An alert that contains a description of product or version support.

2. Note

This manual provides installation steps, troubleshooting, technical specifications, and usage guidelines for cables and connectors. It is intended for users who want to understand the above and have extensive experience in network deployment and management, and assume that users are familiar with related terms and concepts.

1 RG-PA150I-FS

Power module for RG-NBS6002 series switches:

AC input: Currently only the RG-NBS6002 series switches support the RG-PA150I-FS power module.

Caution

The RG-NBS6002 supports power modules in 1+1 redundancy mode. To improve system stability and reliability, you are advised to configure power modules in 1+1 redundancy mode.

1.1 Appearance



The label is on the top panel of the power module.

1.1.1 External Ports

RG-PA150I-FS is an AC power module that provides AC power input and supplies 12 V voltage to the system. The front panel has a three-pin AC power connector for connecting a standard 10 A power cord.


1.1.2 LEDs

LED	Silkscreen Label	Status	Description
Status LED	N/A	Off	There is no power input or the power module is not functioning properly.
		Solid green	The power module is outputting power normally.

1.2 Technical Specifications

Model	RG-PA150I-FS
--------------	--------------

Rated Voltage Range	100 VAC to 240 VAC, 50/60 Hz
Max. Voltage Range	90 V to 264 V, 47/63 Hz
Max. Output Power	100 V to 240 V, 150 W
Input Current	< 3 A at 90 VAC to 264 VAC at full load
Leakage Current	< 3.5 mA at 110 VAC and 220 VAC, 50/60 Hz
Net Weight	0.55 kg (1.21 lbs.)
Power Cord	10 A power cord

 **Caution**

- When connecting the power cord, make sure to fasten the latch securely to prevent any looseness.
 - The power cord should be connected to an output socket which connects to the ground.
 - Maximum operating altitude: 5000 m (16404.19 ft.); maximum storage altitude: 5000 m (16404.19 ft.)
-

 **DOUBLE POLE/NEUTRAL FUSING:**

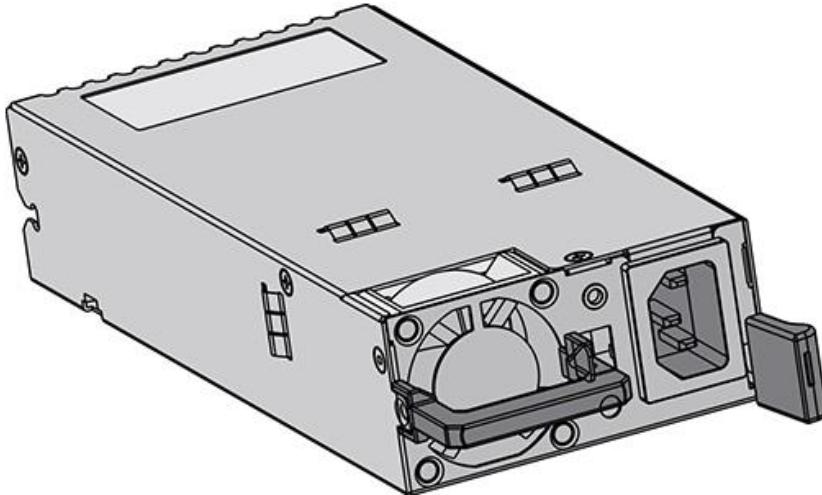
- The fuse is in the neutral, and that the mains shall be disconnected to de-energize the phase conductors.
-

 **Warning**

Operation of this equipment in a residential environment could cause radio interference.

2 RG-PA300I-FS

2.1 Appearance



The label is on the top panel of the power module.

2.1.1 External Ports

RG-PA300I-FS is an AC power module that provides AC power input and supplies 12 V voltage to the system. The front panel has a three-pin AC power connector for connecting a standard 10 A power cord.

The label is on the top panel of the power module.

2.1.2 LEDs

LED	Silkscreen Label	Status	Description
Status LED	N/A	Off	There is no power input or the power module is not functioning properly.
		Solid green	The power module is outputting power normally.

2.2 Technical Specifications

Model	RG-PA300I-FS
Rated Voltage Range	100 V to 240 V, 200 V to 240V, 50/60 Hz
Max. Voltage Range	90 V to 264 V, 47/63 Hz
Max. Output Power	100 V to 240 V, 300 W

Ground-Leakage Current	≤ 1.5 mA
Net Weight	0.85 kg (1.87 lbs.)
Power Cord	10 A power cord

 **Caution**

- When connecting the power cord, make sure to fasten the latch securely to prevent any looseness.
 - The power cord should be connected to an output socket which connects to the ground.
 - Maximum operating altitude: 5000 m (16404.19 ft.); maximum storage altitude: 5000 m (16404.19 ft.)
-

 **DOUBLE POLE/NEUTRAL FUSING:**

- The fuse is in the neutral, and that the mains shall be disconnected to de-energize the phase conductors.
-

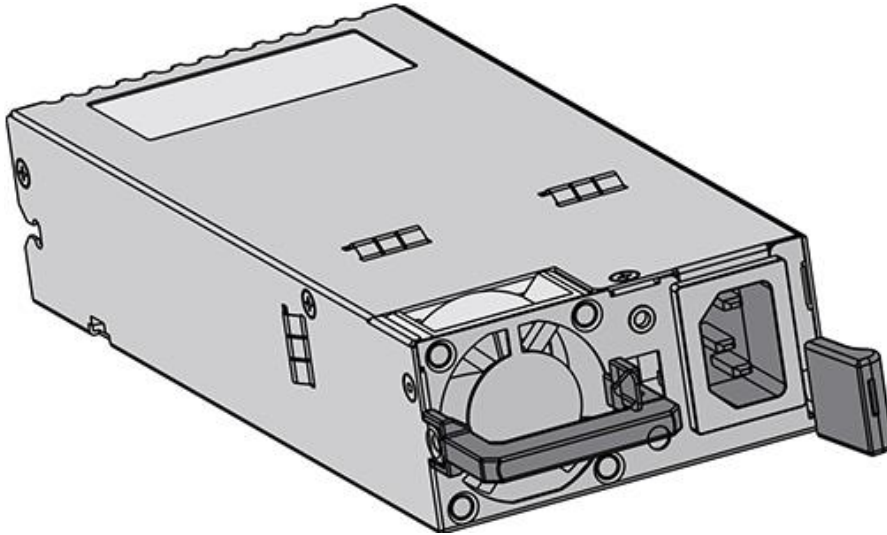
 **Warning**

Operation of this equipment in a residential environment could cause radio interference.

Warning: This power supply is not serviceable, do not disassemble to avoid electric shock.

3 RG-PA460I-FS

3.1 Appearance



The label is on the top panel of the power module.

3.1.1 External Ports

RG-PA460I-FS is an AC power module that provides AC power input to RG-NBS7003 and supplies 12 V voltage to the system. The front panel has a three-pin AC power connector for connecting a standard 10 A power cord.

3.1.2 LEDs

LED	Silkscreen Label	Status	Description
Status LED	N/A	Off	There is no power input or the power module is not functioning properly.
		Solid green	The power module is outputting power normally.

3.2 Technical Specifications

Model	RG-PA460I-FS
Rated Voltage Range	100 V to 240 V, 200 V to 240V, 50/60 Hz
Max. Voltage Range	90 V to 264 V, 47/63 Hz

Max. Output Power	100 V to 240 V, 460 W
Ground-Leakage Current	≤ 3 mA
Net Weight	0.9 kg (1.98 lbs.)
Power Cord	10 A power cord

 **Caution**

- When connecting the power cord, make sure to fasten the latch securely to prevent any looseness.
 - The power cord should be connected to an output socket which connects to the ground.
 - Maximum operating altitude: 5000 m (16404.19 ft.); maximum storage altitude: 5000 m (16404.19 ft.)
-

 **DOUBLE POLE/NEUTRAL FUSING:**

- The fuse is in the neutral, and that the mains shall be disconnected to de-energize the phase conductors.
-

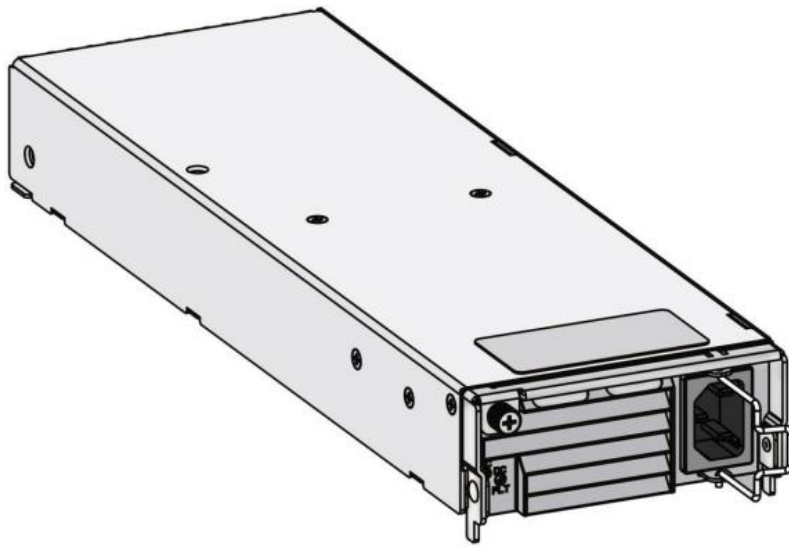
 **Warning**

Operation of this equipment in a residential environment could cause radio interference.

Warning: This power supply is not serviceable, do not disassemble to avoid electric shock.

4 RG-PA600I-FS

4.1 Appearance



The label is on the top panel of the power module.

4.1.1 External Ports

RG-PA600I-FS is an AC power module that provides AC power input and supplies 12 V voltage to the system. The front panel has a three-pin AC power connector for connecting a standard 10 A power cord.

4.1.2 LEDs

No.	Description	LED	
		AC	DC/FLT
1	The power module is operating normally.	Solid green	Solid green
2	No power input or input undervoltage	Off	Solid red
3	Overvoltage alarm	Solid green	Solid red
4	Overcurrent alarm	Solid green	Solid red
5	Overtemperature alarm	Solid green	Solid orange
6	Overheat alarm	Solid green	Solid red
7	Primary-side on/off control	Solid green	Solid red

4.2 Technical Specifications

Model	RG-PA600I-FS
Rated Voltage Range	100 V to 240 V, 200 V to 240V, 50/60 Hz
Max. Voltage Range	90 V to 264 V, 47/63 Hz
Max. Output Power	90 VAC to 180 VAC, 600 W 180 VAC to 264 VAC, 600 W
Ground-Leakage Current	≤ 0.85 mA
Net Weight	1.64 kg (3.62 lbs.)
Power Cord	10 A power cord

 Caution

- When connecting the power cord, make sure to fasten the latch securely to prevent any looseness.
 - The power cord should be connected to an output socket which connects to the ground.
 - Maximum operating altitude: 5000 m (16404.19 ft.); maximum storage altitude: 5000 m (16404.19 ft.)
-

 DOUBLE POLE/NEUTRAL FUSING:

- The fuse is in the neutral, and that the mains shall be disconnected to de-energize the phase conductors.
-

 Warning

- Operation of this equipment in a residential environment could cause radio interference.
 - Warning: This power supply is not serviceable, do not disassemble to avoid electric shock.
-